

**U**

**N**

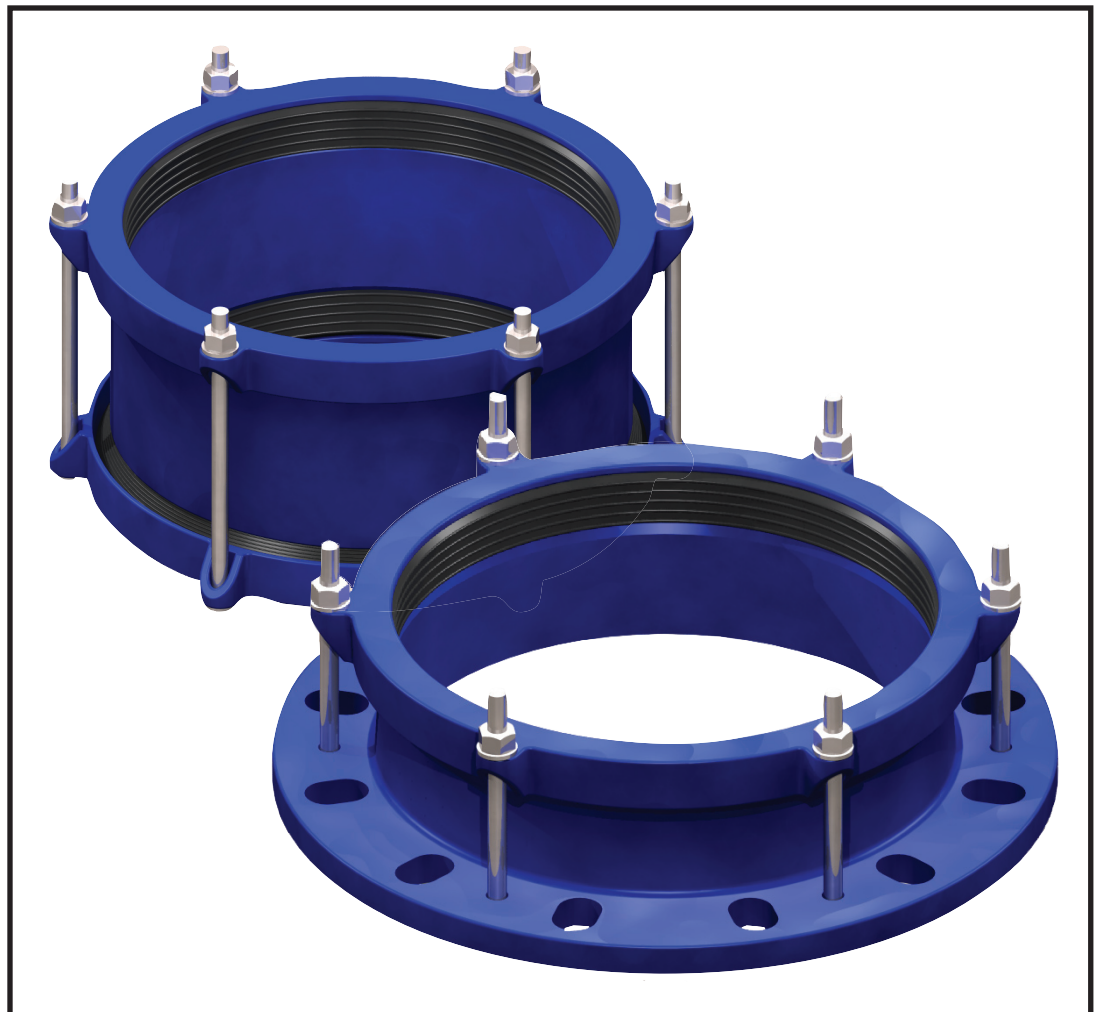
**I**

**F**

**I**

**T**

*Mechanical  
Flange Adapters &  
Couplings*



**WARNING:** This product can expose you to chemicals including lead, which is known to the State of California to cause cancer and birth defects or other reproductive harm. For more information go to [www.P65Warnings.ca.gov](http://www.P65Warnings.ca.gov).

# Wide Range Coupling

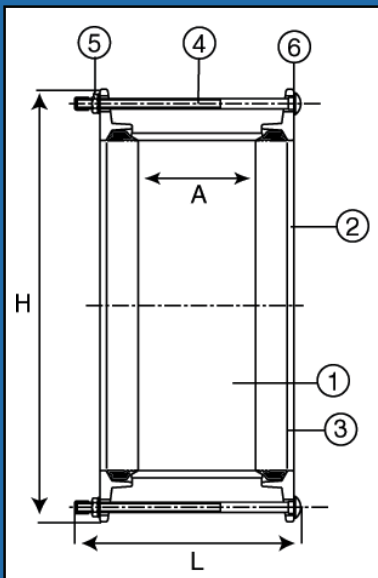
## MATERIAL LIST

1. Middle Ring Ductile Iron  
ASTM A536  
Grade 65-45-12
2. End Ring Ductile Iron  
ASTM A536  
Grade 65-45-12
3. Gasket EPDM
4. Bolt High Strength  
Zinc Coated  
Steel\*
5. Nut High Strength  
Zinc Coated  
Steel
6. Washer High Coated  
Zinc Plated  
Steel
7. Coating Fusion Bonded  
Epoxy Coated  
to 200 Microns\*\*

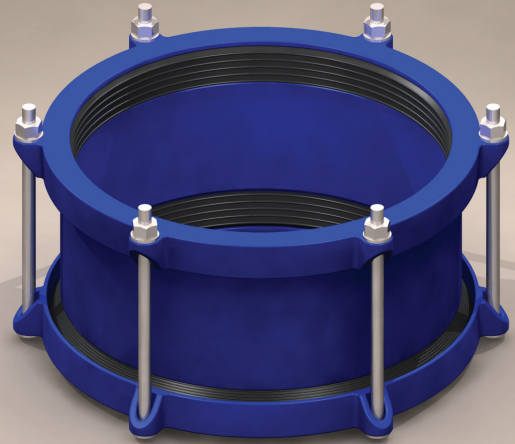
\* Stainless Steel Type 304  
Optional

\*\* NSF 61 Approved Material

Working Pressure: 250 psi



## SERIES 4200

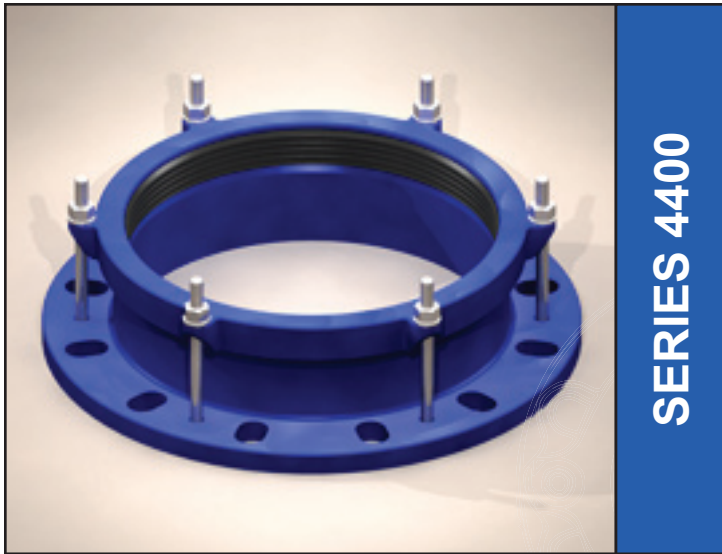


Part Number	Nominal Diameter	OD Range	L	No. of Bolts	H	A	Weight
	DN Inches	mm inch	Bolt Length		mm inch	Sleeve Length	Kgs. Lbs.
4200-020	DN40	48-60	M12 x 200	2	148	100	3.0
	1.5	1.89-2.36	1/2 x 7.8		5.8	4	6.5
4200-025	DN50	59-72	M12 x 200	2	166	100	4.0
	2	2.32-2.84	1/2 x 7.8		6.5	4	8.0
4200-030	DN65	72-85	M12 x 200	2	180	100	4.5
	2.5	2.84-3.35	1/2 x 7.8		7.1	4	10.0
4200-035	DN80	88-103	M12 x 225	4	203	125	6.5
	3	3.46-4.06	1/2 x 8.8		8.0	5	14.0
4200-040	DN100	109-128	M12 x 225	4	228	125	6.5
	4	4.29-5.04	1/2 x 8.8		9.0	5	14.0
4200-045	DN125/150	132-146	M12 x 225	4	244	125	7.0
	5/6	5.20-5.75	1/2 x 8.8		9.6	5	15.0
4200-050	DN125/150	138-153	M12 x 225	4	251	125	7.0
	5/6	5.43-6.02	1/2 x 8.8		9.9	5	15.0
4200-055	DN150	159-182	M12 x 225	4	277	125	8.5
	6	6.26-7.16	1/2 x 8.8		10.9	5	19.0
4200-060	DN200	192-210	M12 x 225	6	310	125	11.5
	8	7.60-8.26	1/2 x 8.8		12.2	5	25.0
4200-065	DN200	218-235	M12 x 225	6	340	125	11.5
	8	8.58-9.25	1/2 x 8.8		13.4	5	25.0
4200-070	DN200	230-247	M12 x 225	6	347	125	12.0
	8	9.06-9.72	1/2 x 8.8		13.7	5	26.0
4200-075	DN250	250-267	M12 x 225	6	371	125	15.0
	10	9.84-10.51	1/2 x 8.8		14.6	5	33.0
4200-080	DN250	272-289	M12 x 225	6	395	125	18.0
	10	10.70-11.38	1/2 x 8.8		15.6	5	40.0
4200-085	DN300	315-332	M12 x 225	8	438	125	19.0
	12	12.40-13.07	1/2 x 8.8		17.2	5	42.0
4200-090	DN300	322-339	M12 x 225	8	442	125	21.0
	12	12.68-13.35	1/2 x 8.8		17.4	5	45.0
4200-095	DN300	332-349	M12 x 225	8	453	125	23.0
	12	13.07-13.74	1/2 x 8.8		17.8	5	50.0
4200-100	DN350	374-391	M16 x 320	8	508	200	36.0
	14	14.72-15.39	5/8 x 12.5		20.0	8	78.0
4200-105	DN400	390-410	M16 x 320	8	540	200	40.0
	16	15.35-16.15	5/8 x 12.5		21.2	8	86.0
4200-110	DN400	418-435	M16 x 320	8	551	200	40.0
	16	16.45-17.12	5/8 x 12.5		21.7	8	86.0
4200-120	DN450	476-493	M16 x 320	10	622	200	53.0
	18	18.74-19.41	5/8 x 12.5		24.5	8	116.0
4200-130	DN500	526-549	M16 x 320	10	672	200	60.0
	20	20.70-21.60	5/8 x 12.5		26.5	8	132.0
4200-140	DN600	654-672	M16 x 320	10	776	200	72.0
	24	225.75-26.45	5/8 x 12.5		30.6	8	158.0

Tel: 877-766-4459

# Wide Range Adapter

**SERIES 4400**



## MATERIAL LIST

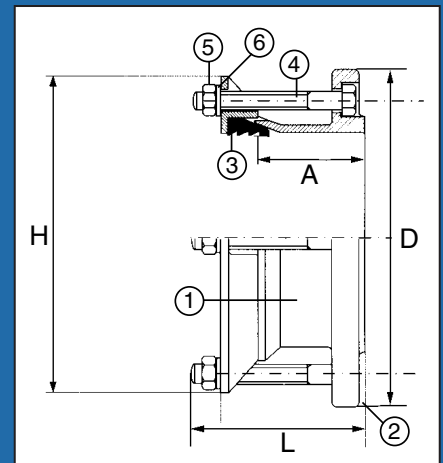
1. Body            Ductile Iron  
ASTM A536  
Grade 65-45-12
2. End Ring        Ductile Iron  
ASTM A536  
Grade 65-45-12
3. Gasket           EPDM
4. Bolt             High Strength  
Zinc Coated  
Steel\*
5. Nut              High Strength  
Zinc Coated  
Steel
6. Washer         High Coated  
Zinc Plated  
Steel
7. Coating         Fusion Bonded  
Epoxy Coated  
to 200 Microns\*\*

\* Stainless Steel Type 304  
Optional

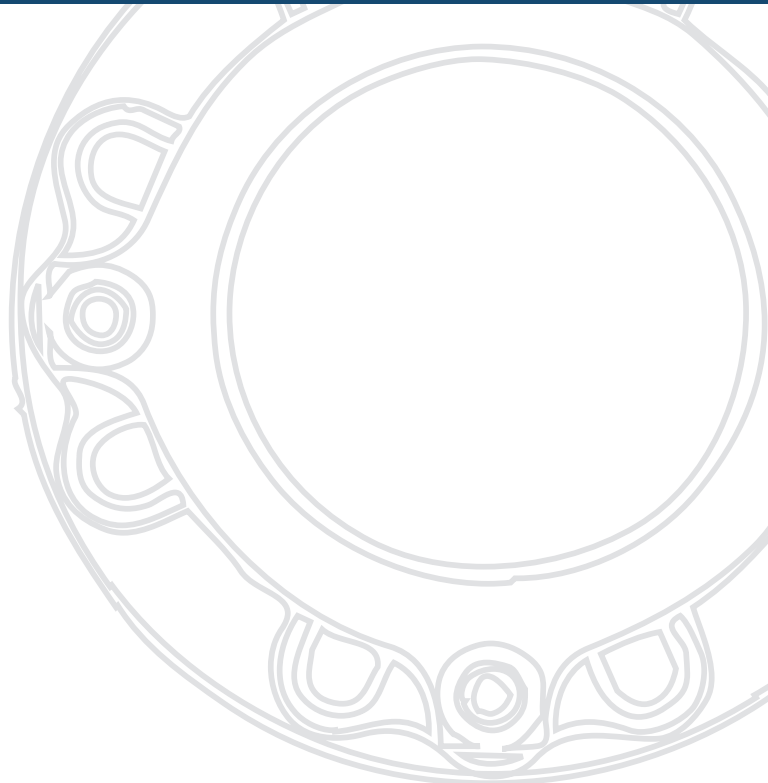
\*\* NSF 61 Approved Material

Working Pressure: 250 psi

Part Number	Nominal Diameter	OD Range	L	No. of Bolts	D	H	A	Weight
	DN							
	Inches	inch	mm					
4428-025	DN50	59-72	M12 x 135	2	165	166	75	3.5
	2	2.32-2.84	1/2 x 5.3		6.4	6.40	3	7.5
4428-030	DN65	72-85	M12 x 135	2	185	180	75	4.5
	2.5	2.84-3.35	1/2 x 5.3		7.2	7.02	3	9.5
4428-035	DN80	88-103	M12 x 135	4	200	203	75	5.5
	3	3.46-4.06	1/2 x 5.3		7.8	7.30	3	11.5
4428-040	DN100	109-128	M12 x 135	4	229	228	75	6.0
	4	4.29-5.04	1/2 x 5.3		9.02	8.98	3	13.0
4428-045	DN125/150	132-146	M12 x 135	4	279.4	244	75	7.5
	5/6	5.20-5.75	1/2 x 5.3		11	9.61	3	16.0
4428-050	DN125/150	138-153	M12 x 135	4	279.4	252	75	7.5
	5/6	5.43-6.02	1/2 x 5.3		11	9.83	3	16.0
4428-055	DN150	159-182	M12 x 155	4	279.4	277	75	8.5
	6	6.26-7.16	1/2 x 6.1		11	10.91	3	18.0
4428-060	DN200	192-210	M12 x 155	4	340	310	75	11.0
	8	7.60-8.26	1/2 x 6.1		13.2	12.20	3	24.0
4428-065	DN200	218-235	M12 x 155	4	340	341	75	11.5
	8	8.58-9.25	1/2 x 6.1		13.2	13.43	3	24.5
4428-075	DN250	250-267	M12 x 155	6	406.4	371	75	14.5
	10	9.84-10.51	1/2 x 6.1		16	14.60	3	31.0
4428-080	DN250	272-289	M12 x 155	6	406.4	395	90	15.0
	10	10.70-11.38	1/2 x 6.1		16	15.55	3 1/2	32.0
4428-085	DN300	315-332	M12 x 155	6	482.6	438	90	20.0
	12	12.40-13.07	1/2 x 6.1		19	17.24	3 1/2	43.0
4428-090	DN300	322-339	M12 x 155	6	482.6	442	100	20.5
	12	12.68-13.35	1/2 x 6.1		19	17.40	4	45.0
4428-095	DN300	332-349	M12 x 155	6	482.6	453	90	21.5
	12	13.07-13.74	1/2 x 6.1		19	17.83	3 1/2	47.0
4428-100	DN350	374-391	M16 x 200	8	520	508	130	28.0
	14	14.72-15.39	5/8 x 7.98		20.4	20.00	5	64.0
4428-105	DN400	390-410	M16 x 200	8	580	540	130	35.0
	16	15.35-16.14	5/8 x 7.98		23.2	21.25	5	77.0
4428-110	DN400	418-435	M16 x 200	8	580	552	130	35.0
	16	16.45-17.12	5/8 x 7.98		23.2	21.73	5	77.0
4428-120	DN450	476-493	M16 x 200	10	636	622	130	41.0
	18	18.74-19.41	5/8 x 7.98		25	24.49	5	90.0
4428-130	DN500	527-544	M16 x 220	10	710	672	150	54.0
	20	20.75-21.42	5/8 x 8.66		27.95	26.48	6	119.0
4428-140	DN600	630-647	M16 x 220	10	835	776	150	71.0
	24	24.80-25.47	5/8 x 8.66		32.8	30.57	6	154.0



Tel: 877-766-4459



**UNITED WATER PRODUCTS**  
5355 Ramona Blvd., Jacksonville, Florida 32205  
[www.unitedwaterproducts.com](http://www.unitedwaterproducts.com)  
Tel: 877-766-4459 • Fax: 877-766-4458